

# Stainless and High Alloy Steel Valves

JIS 5K/10K/20K, ASME Class 150/300/600/900/1500,  
Gate, Globe and Check Valves

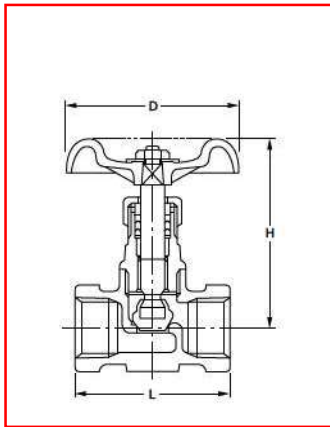


5K

GLOBE VALVE

Pressure-Temperature Rating: 1.0 MPa: 180°C

UCL



Parts	UCL
Body	SCS13A
Bonnet	SCS13A
Stem	SUS304
Disc	SUS304
Gland	SUS304
Gland packing	Refer to Page 10
Packing nut	SCS13A
Handwheel	ZDC (8 to 25) / ADC (32 to 50)
Name plate	A1050P

Face to face dimensions: KITZ Std.  
End thread dimensions: JIS B0203  
Wall thickness: KITZ Std.

Nominal Size	Unit: mm							
	1/4	3/8	1/2	3/4	1	1 1/4	1 1/2	2
L	44	48	52	60	72	80	90	100
H	68	68	68	93	100	122	138	153
D	55	55	55	60	70	80	90	100

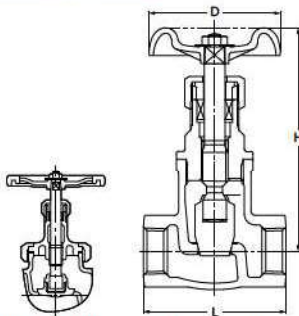
10K

GLOBE VALVE

Pressure-Temperature Rating: 1.0 MPa: 180°C

UJ

UJM



65 and larger

50 and smaller



Parts	UJ	UJM
Body	SCS13A	SCS14A
Bonnet	SCS13A	SCS14A
Stem	SUS304	SUS316
Disc	SUS304/SCS13A	SUS316/SCS14A
Gland	SUS304	SUS316
Lock nut	SUS304	SUS316
Gland packing	Refer to Page 10	
Packing nut	SCS13A/SUS304	
Handwheel	ZDC (10 to 20)/ADC12 (25 to 50) FCD400 (65 & 80)	
Bonnet ring*	SCS13A	SCS14A
Gasket*	Asbestos-free sheet	
Packing washer	SUS316 (10 to 50)	
Name plate	A1050P	

\*For size 21/2 and larger

Face to face dimensions: JIS B2011, KITZ Std.  
End thread dimensions: JIS B0203  
Wall thickness: KITZ Std.

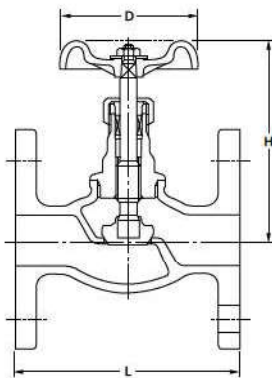
Nominal Size	Unit: mm								
	3/8	1/2	3/4	1	1 1/4	1 1/2	2	2 1/2	3
L	55	65	80	90	105	120	140	180	200
H	109	111	112	142	150	171	189	253	280
D	60	60	70	90	90	100	115	180	225

10K

GLOBE VALVE

Pressure-Temperature Rating: 1.0 MPa: 180°C

UCB



Parts	UCB
Body	SCS13A
Bonnet	SCS13A
Stem	SUS304
Disc	SUS304
Gland	SUS304
Gland packing	Refer to Page 10
Packing nut	SCS13A/SUS304
Handwheel	ZDC (10 to 20) / ADC12 (25 to 50)
Name plate	A1050P

Face to face dimensions: KITZ Std. \*Except flange thickness  
End flange dimensions: JIS B2220\*  
Wall thickness: KITZ Std.

Nominal Size	Unit: mm						
	3/8	1/2	3/4	1	1 1/4	1 1/2	2
L	73	85	95	108	120	135	155
H	106	106	108	119	142	155	186
D	70	70	70	80	90	90	115