

# Ductile Iron Valves

JIS 10K/16K/20K  
ASME Class 150/300



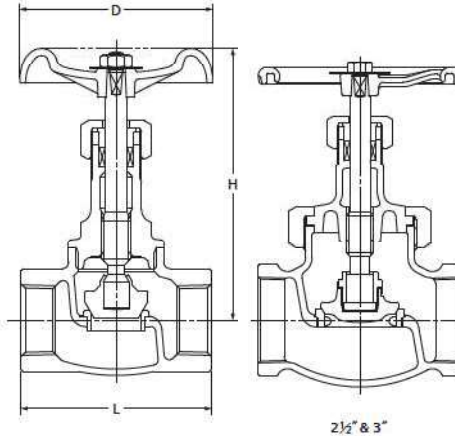
# JIS 10K Globe Valve

**10SJ**

S.B.I.S. or U.B.I.S.



S.B.I.S. for 2" & smaller  
U.B.I.S. for 2 1/2" & 3"



End to end : JIS B 2051\*  
End connection : JIS B 0203  
\*KITZ Std. for 1/4", 3/8", 2 1/2", & 3"

120°C Static water..... 1.4MPa  
220°C Steam, air, gas, oil..... 1.0MPa

●Use for lubricating or hydraulic oil is acceptable. Contact KITZ Corporation for technical advice, if valves are used as heat transfer media.

**Materials**

| Parts          | JIS material                              |
|----------------|---|
| Body           | FCD-5                                     |
| Bonnet         | FCD-5                                     |
| Stem           | SUS420J2                                  |
| Disc           | SUS403                                    |
| Body seat ring | SUS403                                    |
| Gland          | SUS403 (1/4"~3/4": SUS420J2)              |
| Gland packing  | Non-asbestos Packing                      |
| Packing nut    | FCD-5                                     |
| Handwheel      | FCD450-10 (2 1/2" & 3": FCD400-15)        |
| Wheel nut      | SS400                                     |
| Gasket         | Stainless Foil Inserted Flexible Graphite |
| Bonnet ring    | FCD-5                                     |
| Name plate     | A1050P                                    |

**Dimensions**

| Size     | mm  |     |     |     |     |       |       |     |       |     |
|----------|-----|-----|-----|-----|-----|-------|-------|-----|-------|-----|
|          | 8   | 10  | 15  | 20  | 25  | 32    | 40    | 50  | 65    | 80  |
|          | 1/4 | 3/8 | 1/2 | 3/4 | 1   | 1 1/4 | 1 1/2 | 2   | 2 1/2 | 3   |
| L        | 50  | 55  | 65  | 80  | 90  | 105   | 120   | 140 | 180   | 200 |
| H (open) | 108 | 108 | 122 | 125 | 146 | 160   | 180   | 198 | 250   | 280 |
| D        | 60  | 60  | 70  | 80  | 90  | 100   | 115   | 135 | 180   | 225 |

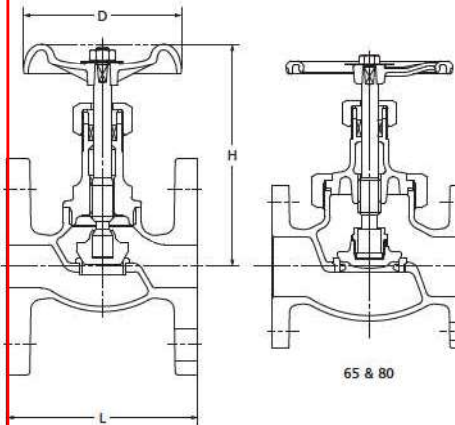
# 10K Globe Valve

**10SJBF**

S.B.I.S. or U.B.I.S.  
FF-flanged



S.B.I.S. for 50 & smaller  
U.B.I.S. for 65 & 80



Face to face : JIS B 2011\*  
End connection : JIS B 2239 10K  
\*KITZ Std. for 15

120°C Static water..... 1.4MPa  
220°C Steam, air, gas, oil..... 1.0MPa

●Use for lubricating or hydraulic oil is acceptable. Contact KITZ Corporation for technical advice, if valves are used as heat transfer media.

**Materials**

| Parts          | JIS material                              |
|----------------|---|
| Body           | FCD-5                                     |
| Bonnet         | FCD-5                                     |
| Stem           | SUS420J2                                  |
| Disc           | SUS403                                    |
| Body seat ring | SUS403                                    |
| Gland          | SUS420J2 (32,65 & 80 : SUS403)            |
| Gland packing  | Non-asbestos Packing                      |
| Packing nut    | FCD-5                                     |
| Handwheel      | FCD450 (65 & 80 : FCD400)                 |
| Wheel nut      | SS400                                     |
| Gasket         | Stainless Foil Inserted Flexible Graphite |
| Bonnet ring    | FCD-5 (65 & 80)                           |
| Name plate     | A1050P                                    |

**Dimensions**

| Size     | mm  |     |     |     |       |       |     |       |     |  |
|----------|-----|-----|-----|-----|-------|-------|-----|-------|-----|--|
|          | 10  | 15  | 20  | 25  | 32    | 40    | 50  | 65    | 80  |  |
|          | 3/8 | 1/2 | 3/4 | 1   | 1 1/4 | 1 1/2 | 2   | 2 1/2 | 3   |  |
| L        | 85  | 85  | 95  | 110 | 130   | 150   | 180 | 210   | 240 |  |
| H (open) | 108 | 122 | 125 | 146 | 160   | 180   | 198 | 250   | 280 |  |
| D        | 60  | 70  | 80  | 90  | 100   | 115   | 135 | 180   | 225 |  |

NOTE : For flange dimensions, refer to Page 44. ※RF-flanged ends shall be optionally available.