

# Ball Valves

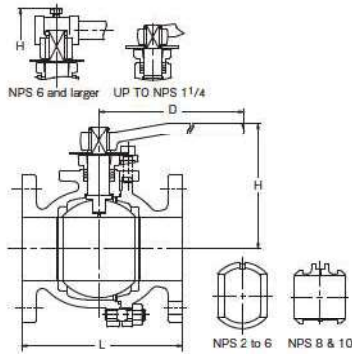


## 10K Iron Ball Valves (Full Bore)

### (G-)10FCTB



Blowout-proof stem



Page 99 for Pressure-Temperature Ratings.

#### Materials

Parts	Material	JIS Spec.
Body	Cast iron	FC200
Body cap	Cast iron	FC200
Stem	Stainless steel	SUS403
Ball	Stainless steel	SCS13A or SUS304 or SUS304TP
Grand packing		PTFE
Gasket		PTFE
Ball seat		PTFE
Cap bolt	Carbon steel	SS400

#### Design Specifications

Items	
Shell wall thickness and general valve design	KITZ standard
Face to face dimensions	KITZ standard
End flange dimensions Gasket contact facing	JIS B2239 10K (FF)

#### Gear Operation

Nominal Pressure	10K	Gear Operator				Unit: mm
		H	D	C	A	
Nominal size (NPS)	5	312	310	165	65.5	
	6	337	310	165	65.5	
	8	414	360	210	88.5	
	10	477	500	363	93.5	

#### Dimensions of 10FCTB

Nominal Size	NPS DN	Unit: mm												
		1/2	3/4	1	1 1/4	1 1/2	2	2 1/2	3	4	5	6	8	10
L	15	110	120	130	140	165	180	190	200	230	300	340	450	533
H	20	102	105	124	128	114	121	154	163	199	219	292	352	477
D	25	130	130	160	160	230	230	400	400	460	460	1000	1500	—

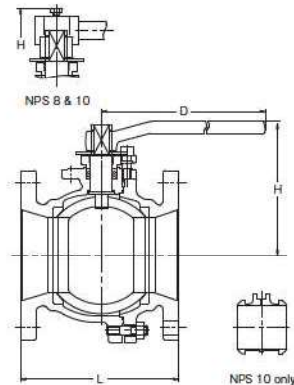
Refer to "Product Range" on Page 3.

## JIS 10K Iron Ball Valves (Reduced Bore)

### (G-)10FCTR



Blowout-proof stem



Page 99 for Pressure-Temperature Ratings.

#### Materials

Parts	Material	JIS Spec.
Body	Cast iron	FC200
Body cap	Cast iron	FC200
Stem	Stainless steel	SUS403
Ball	Stainless steel	SCS13A or SUS304 or SUS304TP
Grand packing		PTFE
Gasket		PTFE
Ball seat		PTFE
Cap bolt	Carbon steel	SS400

#### Design Specifications

Items	
Shell wall thickness and general valve design	KITZ standard
Face to face dimensions	JIS B2002*
End flange dimensions Gasket contact facing	JIS B2239 10K (FF)

\*For NPS 5=KITZ standard

#### Gear Operation

Nominal Pressure	10K	Gear Operator				Unit: mm
		H	D	C	A	
Nominal size (NPS)	5	292	310	165	65.5	
	6	312	310	165	65.5	
	8	337	310	165	65.5	
	10	414	360	210	88.5	

#### Dimensions of 10FCTR

Nominal Size	NPS DN	Unit: mm			
		5	6	8	10
L	125	250	270	290	330
H	150	200	220	295	355
D	200	460	460	1000	1500

Refer to "Product Range" on Page 3.